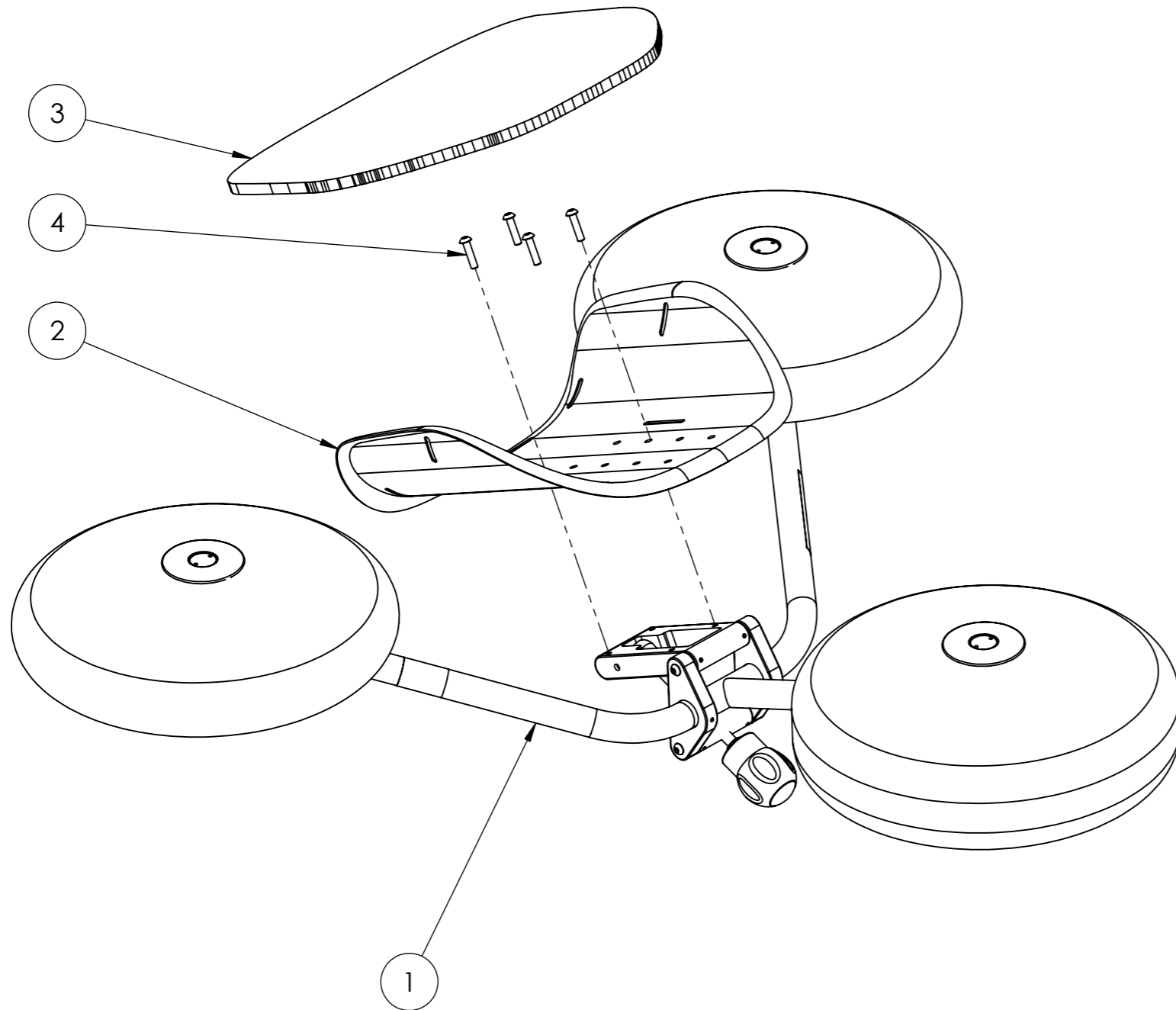



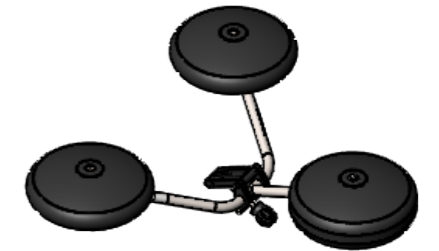
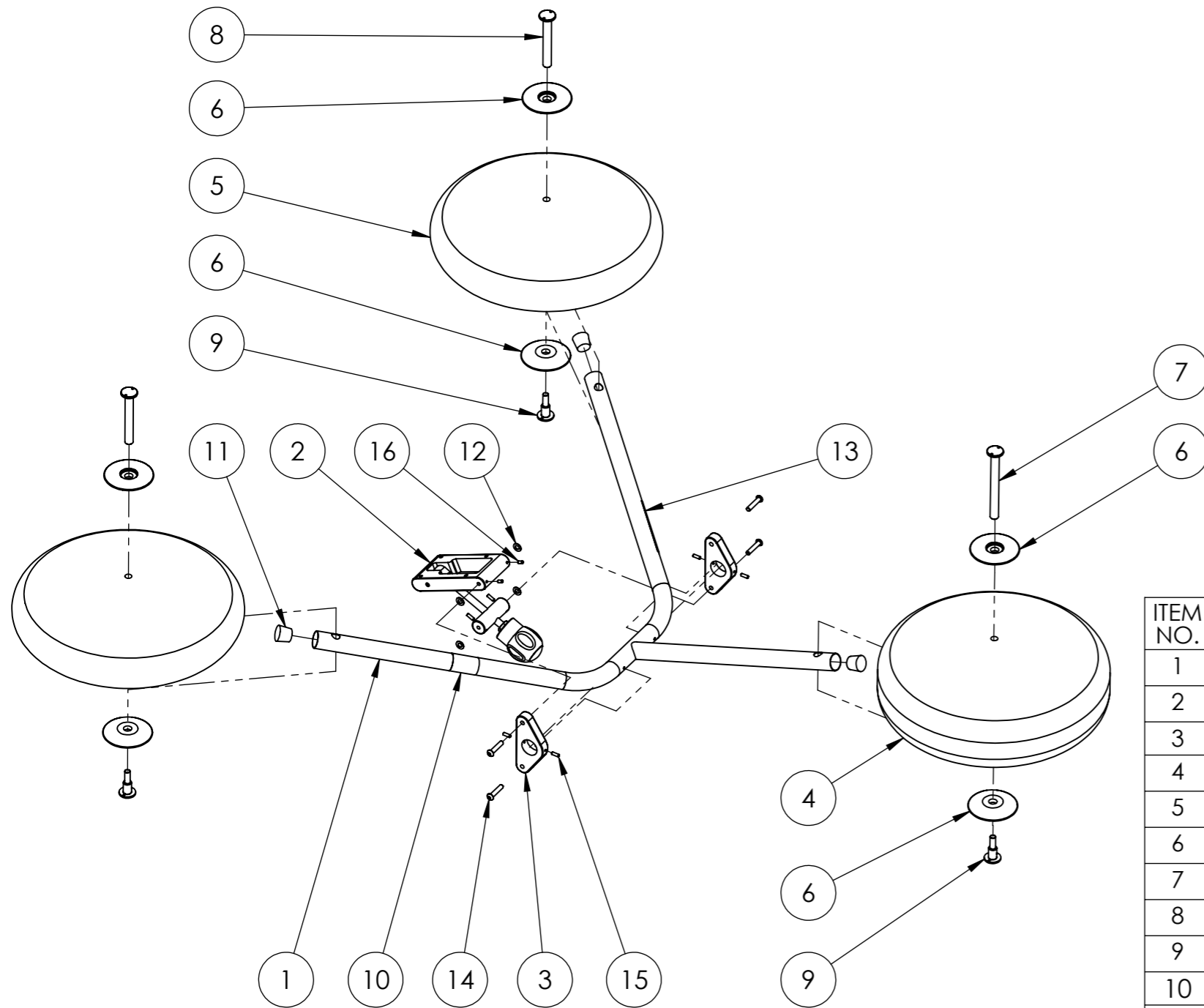
ITEM NO.	PART NUMBER	Title	QTY.
1	600-1100	Pirat, Main assy	1
2	600-2007	Tray size 1	1
3	600-2026	Pirat Cushion, Small	1
4	ISO 7380 - M6 x 25 - 25N - SS - A4		4

UNLESS OTHERWISE SPECIFIED:				<div style="background-color: yellow; padding: 5px; text-align: center;">Krabat Pirat Size 1</div>	
ALL DIMENSIONS ARE IN MILLIMETERS	TOLERANCES, LINEAR/ ANGULAR: NS-ISO 2768-1-m-K	DEBUR AND BREAK SHARP EDGES	PAPER SIZE: A3		
		MATERIAL:	<div style="background-color: yellow; padding: 5px; text-align: center;">600-1103</div>		
		TREATMENT:			
NAME	SIGNATURE	DATE	FINISH:	DWG NO.	REVISION
DRAWN A.S.		04.05.17			01
CHK'D					
APP'VD			WEIGHT: 5750 g	SHEET 1 OF 1	SCALE:1:10 DO NOT SCALE DRAWING



ITEM NO.	PART NUMBER	Title	QTY.
1	600-1100	Pirat, Main assy	1
2	600-2028	Tray size 2	1
3	600-2027	Pirat Cushion, Large	1
4	ISO 7380 - M6 x 25 - 25N - SS - A4		4

UNLESS OTHERWISE SPECIFIED:				<div style="background-color: yellow; padding: 5px; display: inline-block;">Krabat Pirat size 2</div>	
ALL DIMENSIONS ARE IN MILLIMETERS	TOLERANCES, LINEAR/ ANGULAR: NS-ISO 2768-1-m-K	DEBUR AND BREAK SHARP EDGES	PAPER SIZE: A3		
		MATERIAL:	<div style="background-color: yellow; padding: 5px; display: inline-block;">600-1104</div>		
		TREATMENT:			
NAME	SIGNATURE	DATE	FINISH:	DWG NO.	REVISION
DRAWN A.S.		04.05.17			01
CHK'D			WEIGHT: 5586 g	SHEET 1 OF 1	SCALE:1:5
APP'VD				DO NOT SCALE DRAWING	



ITEM NO.	PART NUMBER	Title	QTY.
1	600-1101	Frame assy	1
2	600-1102	Adjuster assy	1
3	600-2004	Bracket, Frame	2
4	600-2008	Floating disc, Large	1
5	600-2002	Floating disc	2
6	600-2012	Holder, Floating disc	6
7	600-2015	Axle (long), Floating disc	1
8	600-2014	Axle, Floating disc	2
9	600-2013	Locking pin	3
10	600-2038	Serial number, Pirat	1
11	900-1098	Torp Code: 208 19,1 x 23,5 x 19,1	3
12	900-1116	Torp code: 213 065x127x08	4
13	900-1099	Krabat Logo, Carved Silver (22 mm x 90 mm)	1
14	ISO 7380 - M6 x 30 - 30N - SS - A4		4
15	ISO 4029 - M4 x 12-N - SS - A4		6
16	ISO 4029 - M4 x 8-N - SS - A4		2

UNLESS OTHERWISE SPECIFIED:

ALL DIMENSIONS ARE IN MILLIMETERS	TOLERANCES, LINEAR/ ANGULAR: NS-ISO 2768-1-m-K	DEBUR AND BREAK SHARP EDGES	PAPER SIZE: A3
		MATERIAL:	TITLE:
NAME: A.S. SIGNATURE: DATE: 03.05.17		TREATMENT:	Pirat, Main assy
DRAWN	CHK'D	APPV'D	DWG NO. 600-1100
WEIGHT: 5215 g			REVISION 01

Krabat Pirat

Pirat, Main assy

600-1100

SHEET 1 OF 1 SCALE:1:10 DO NOT SCALE DRAWING